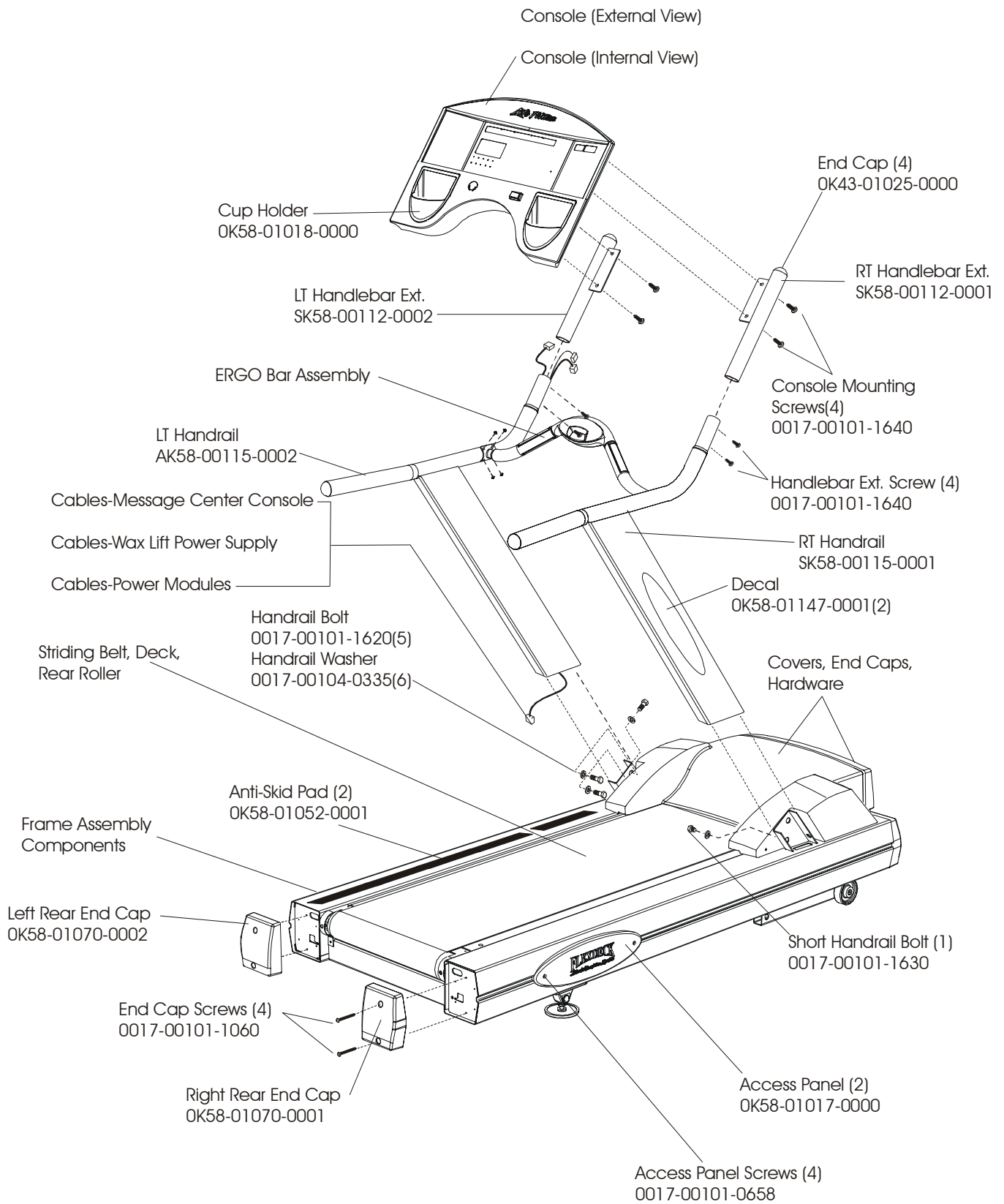


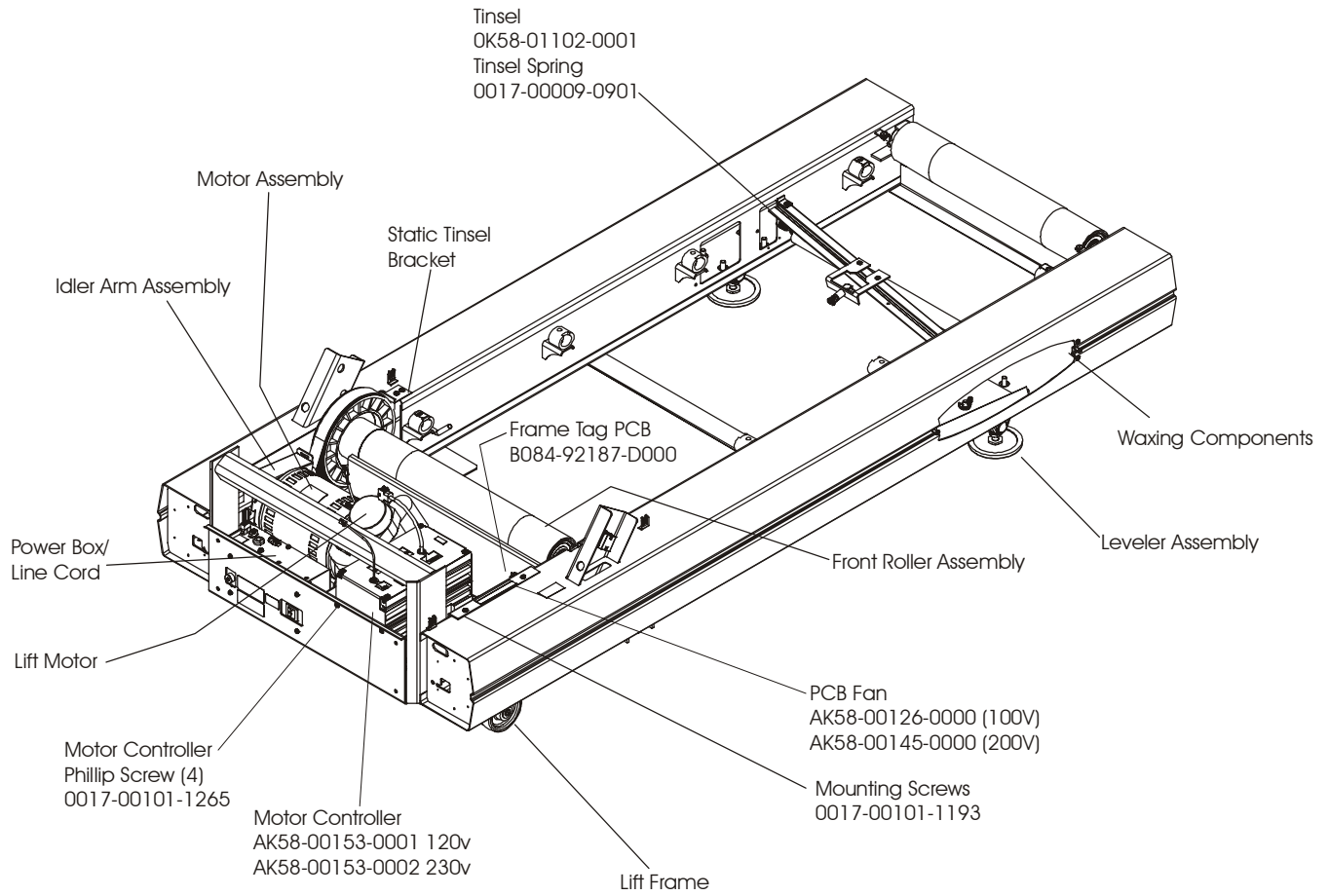
TR97 Treadmill General Assembly

TR97-0100-03
S/N HTP100000



TR97 Treadmill Frame Assembly Components

TR97-0100-03
S/N HTP100000



**TR97 Treadmill
Console (External View)**

**TR97-0100-03
S/N HTP100000**

- Console Assembly
- AK58-00055-0001 Eng/Met
- AK58-00055-0003 Ger/Met
- AK58-00055-0004 Spn/Met/Eur (120v/60Hz)
- AK58-00055-0005 Spn/Met (230v/50Hz)
- AK58-00055-0006 Jap/Met
- AK58-00055-0007 Frn/Met/Eur (120v/60Hz)
- AK58-00055-0008 Itl/Met
- AK58-00055-0009 Dut/Met
- AK58-00055-0010 Por/Met
- AK58-00055-0011 Frn/Met (230v/50Hz)

Front Console Shell Only
OK58-01008-0001

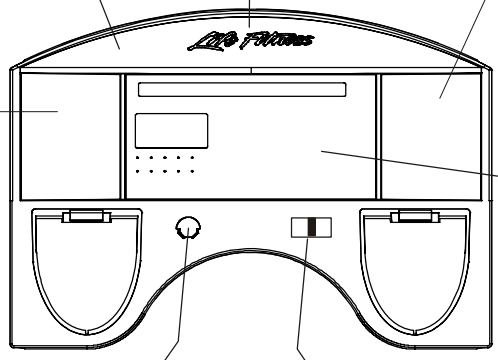
- Zone Training Overlay
- OK58-01215-0001 Eng/Met
- OK58-01215-0003 Ger/Met
- OK58-01215-0004 Spn/Met/Eur
- OK58-01215-0006 Jap/Met
- OK58-01215-0007 Frn/Met/Eur
- OK58-01215-0008 Itl/Met
- OK58-01215-0009 Dut/Met
- OK58-01215-0010 Por/Met

- Workout Profiles
- OK58-01216-0001 Eng/Met
- OK58-01216-0003 Ger/Met
- OK58-01216-0004 Spn/Met/Eur
- OK58-01216-0006 Jap/Met
- OK58-01216-0007 Frn/Met/Eur
- OK58-01216-0008 Itl/Met
- OK58-01216-0009 Dut/Met
- OK58-01216-0010 Por/Met

Stop Key w/Tether
AK58-00091-0000

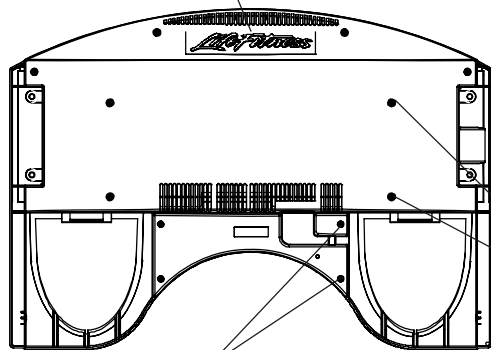
Stop Switch Assembly
Gk58-00002-0007

- Tray/Switch w/Overlay Assy
- AK58-00061-0001 Eng/Met
- AK58-00061-0003 Ger/Met
- AK58-00061-0004 Spn/Met/Eur
- AK58-00061-0006 Jap/Met
- AK58-00061-0007 Frn/Met/Eur
- AK58-00061-0008 Itl/Met
- AK58-00061-0009 Dut/Met
- AK58-00061-0010 Por/Met



Rear Console Decal
OK58-01129-0000

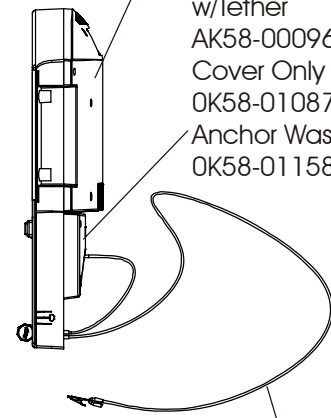
Rear Console
OK58-01009-0000



Phillips Screw-4
(8-32x6)
0017-00101-0776

Phillips Screw-8
(10-32x8)
0017-00101-1288

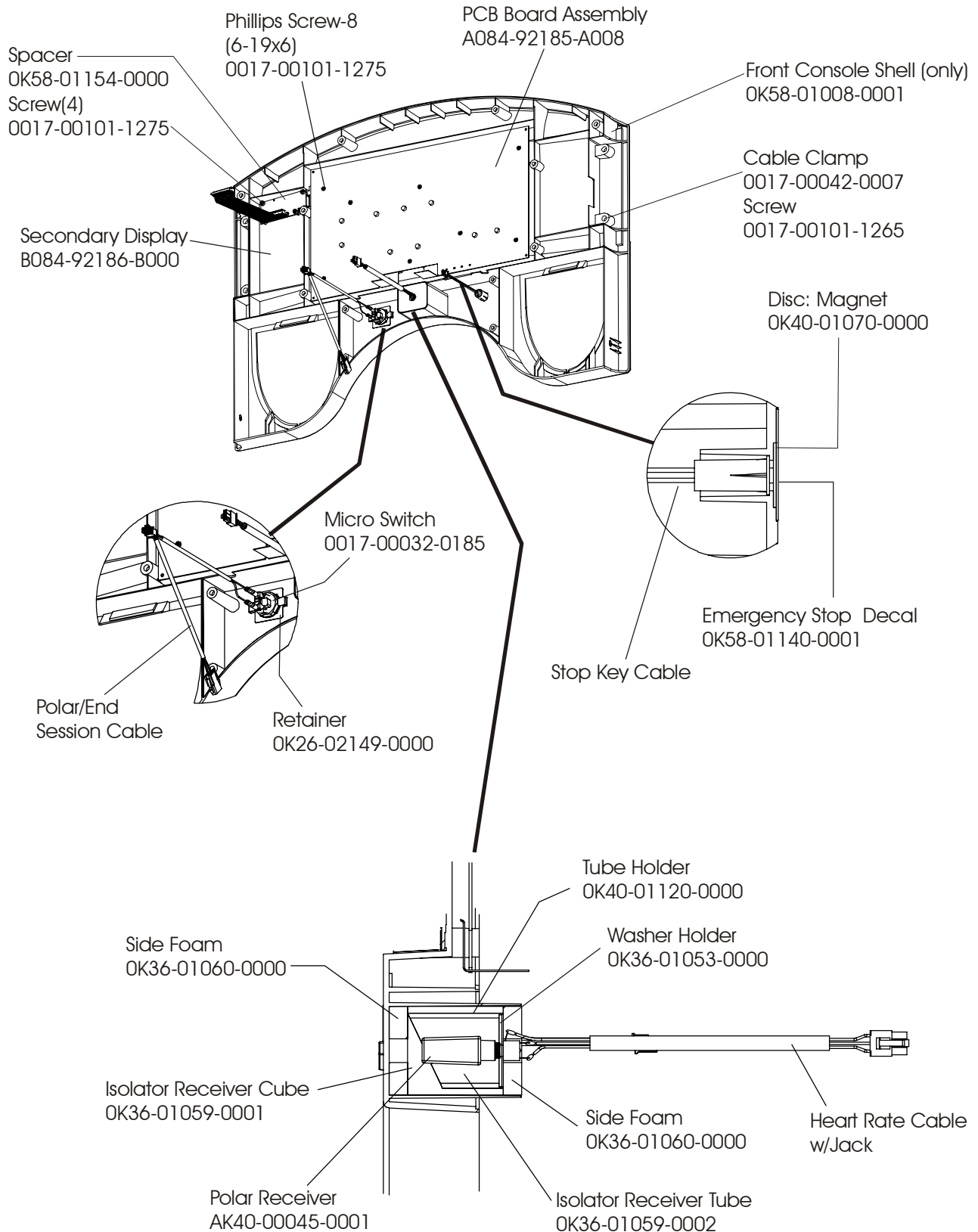
- Switch Cover
w/Tether
AK58-00096-0000
- Cover Only
OK58-01087-0000
- Anchor Washer
OK58-01158-0000

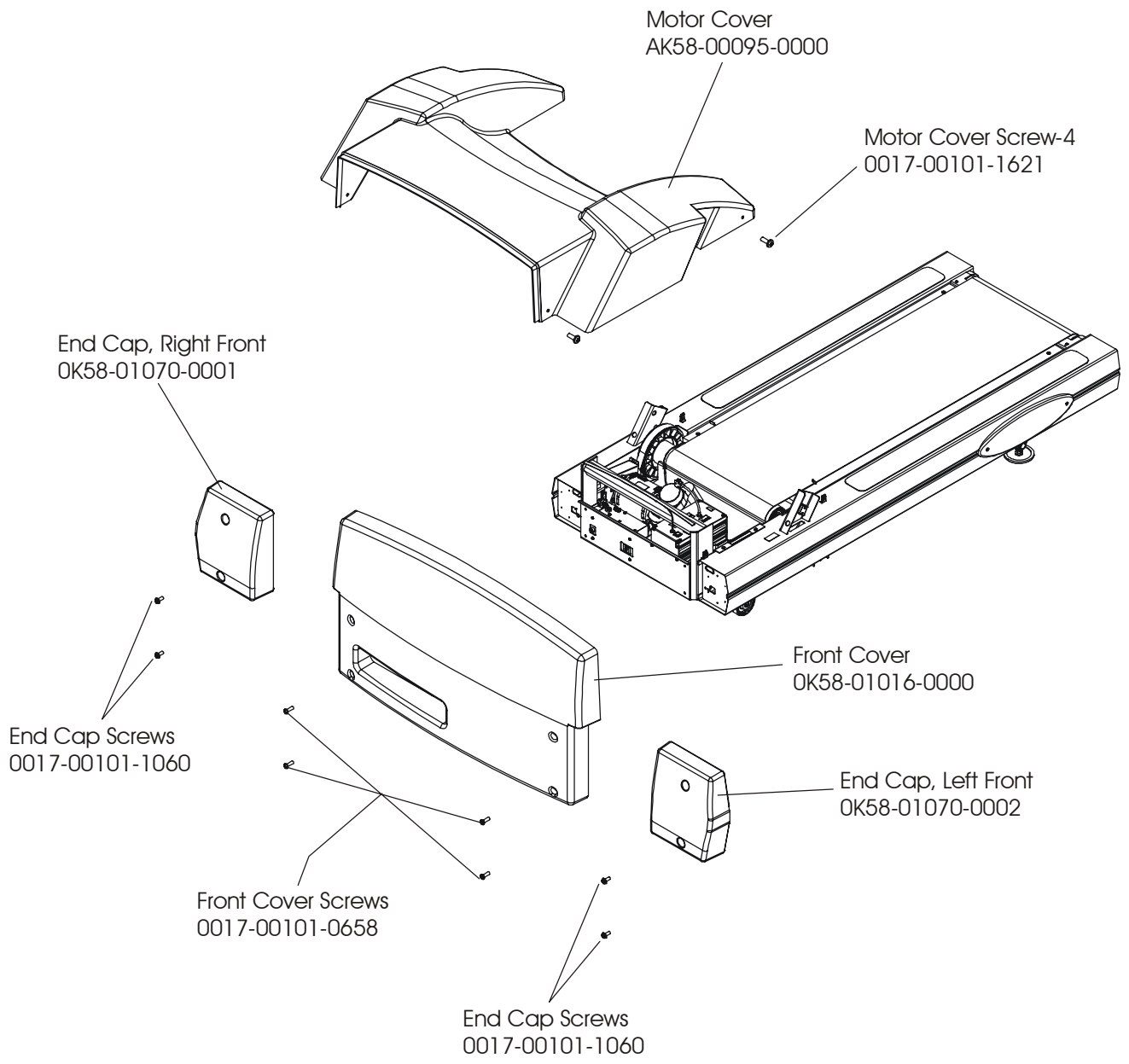


Stop Key w/Tether
AK58-00091-0000

**TR97 Treadmill
Console (Internal View)**

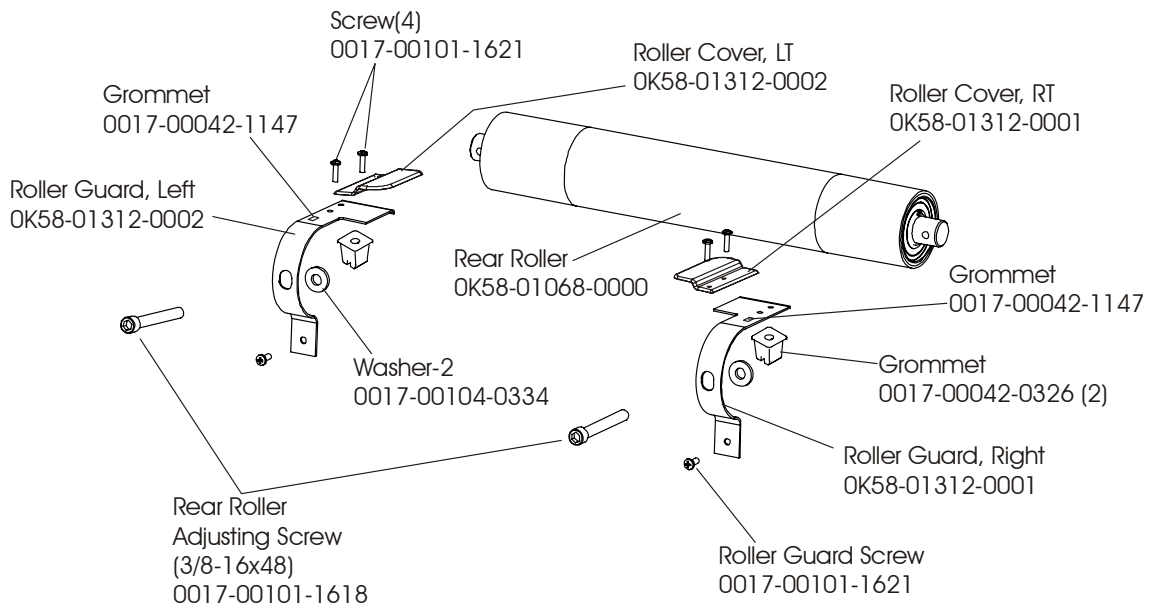
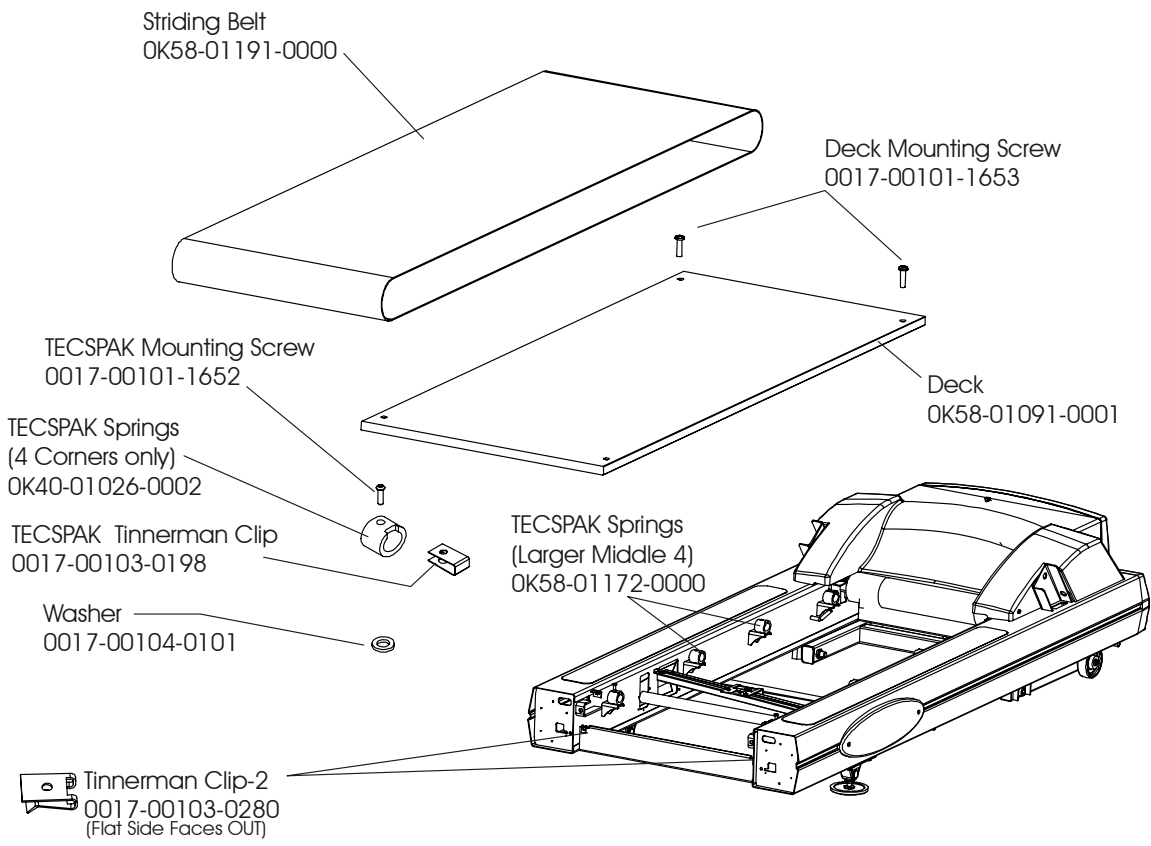
**TR97-0100-03
S/N HTP100000**





TR97 Treadmill
Belt, Deck, Rear Roller

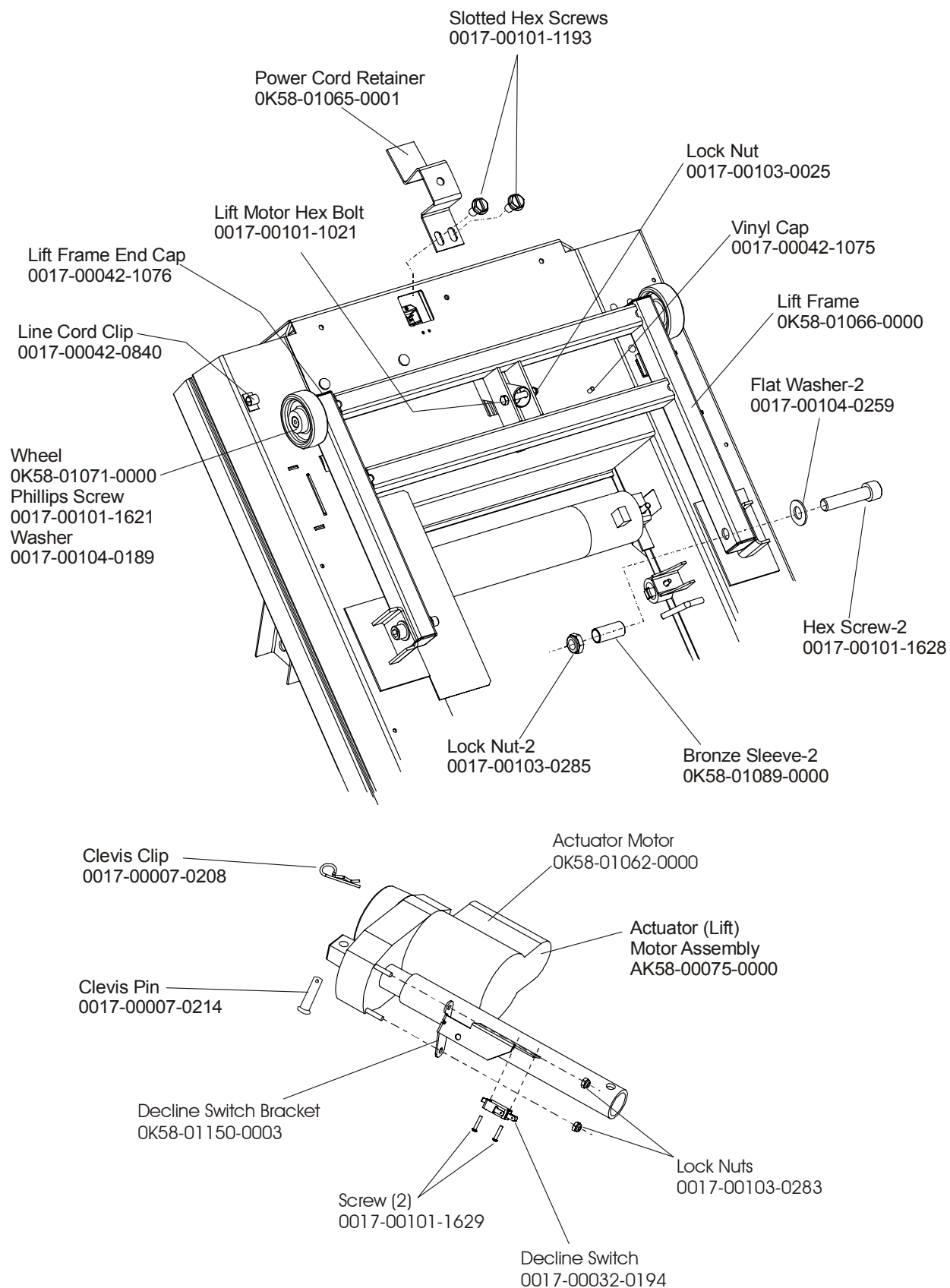
TR97-0100-03
S/N HTP100000



IMPORTANT: Components can be ordered separately with Serial Numbers above:
 TR9100 HTN102105-Above, TR9500 HTM105585-Above, and TR9700 HTP100531-Above.
 Use the appropriate Roller Guard Kit: GK58-00002-0056 for TR91/95, and GK58-00002-0057 for Tr97 with
 Serial Numbers: TR9100 HTN102105-Below, TR9500 HTM105585-Below, and TR9700 HTP100531-Below.

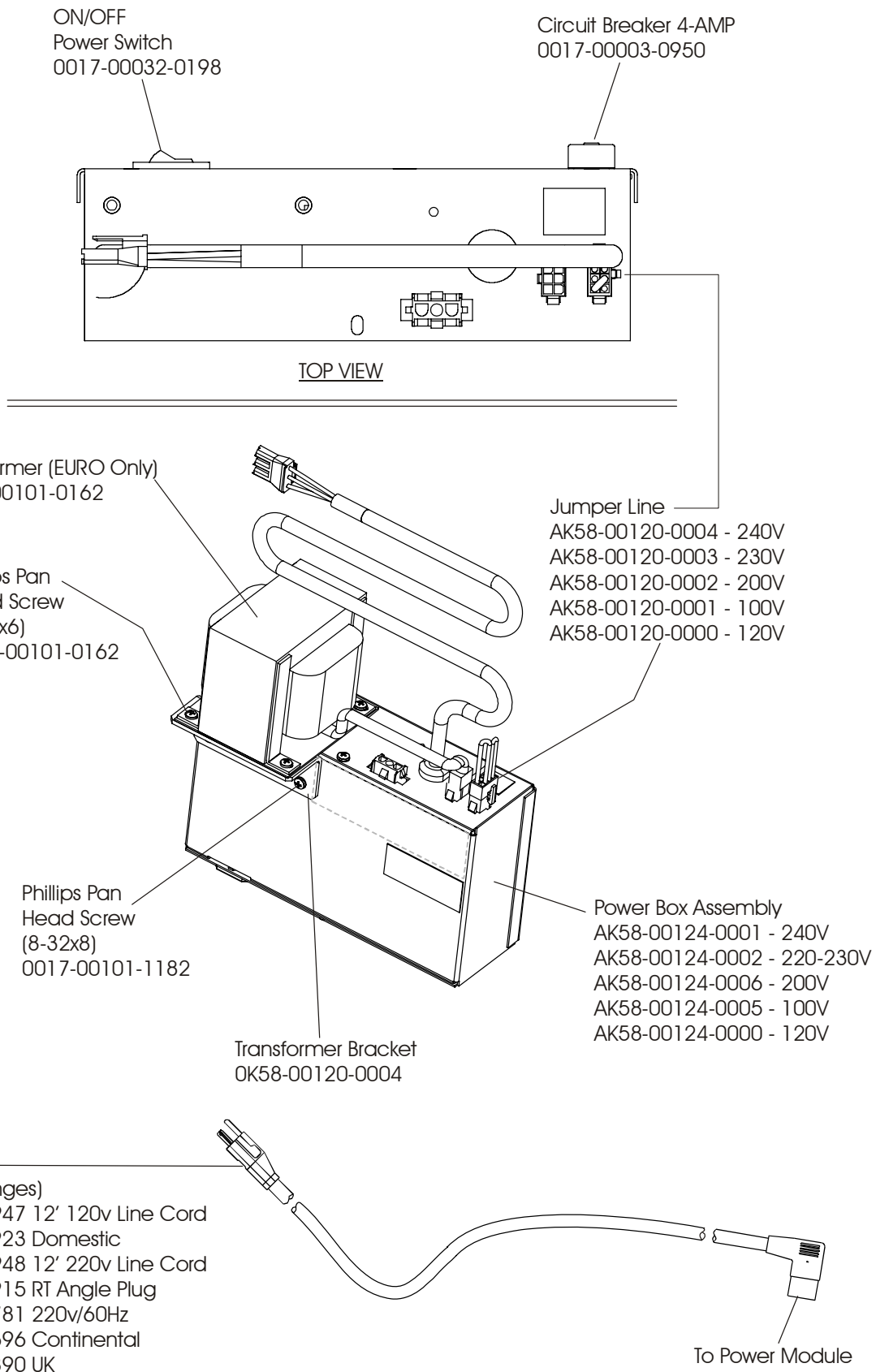
TR97 Treadmill
Lift Motor and Lift Frame

TR97-0100-03
S/N HTP100000



**TR97 Treadmill
Power Box Assembly**

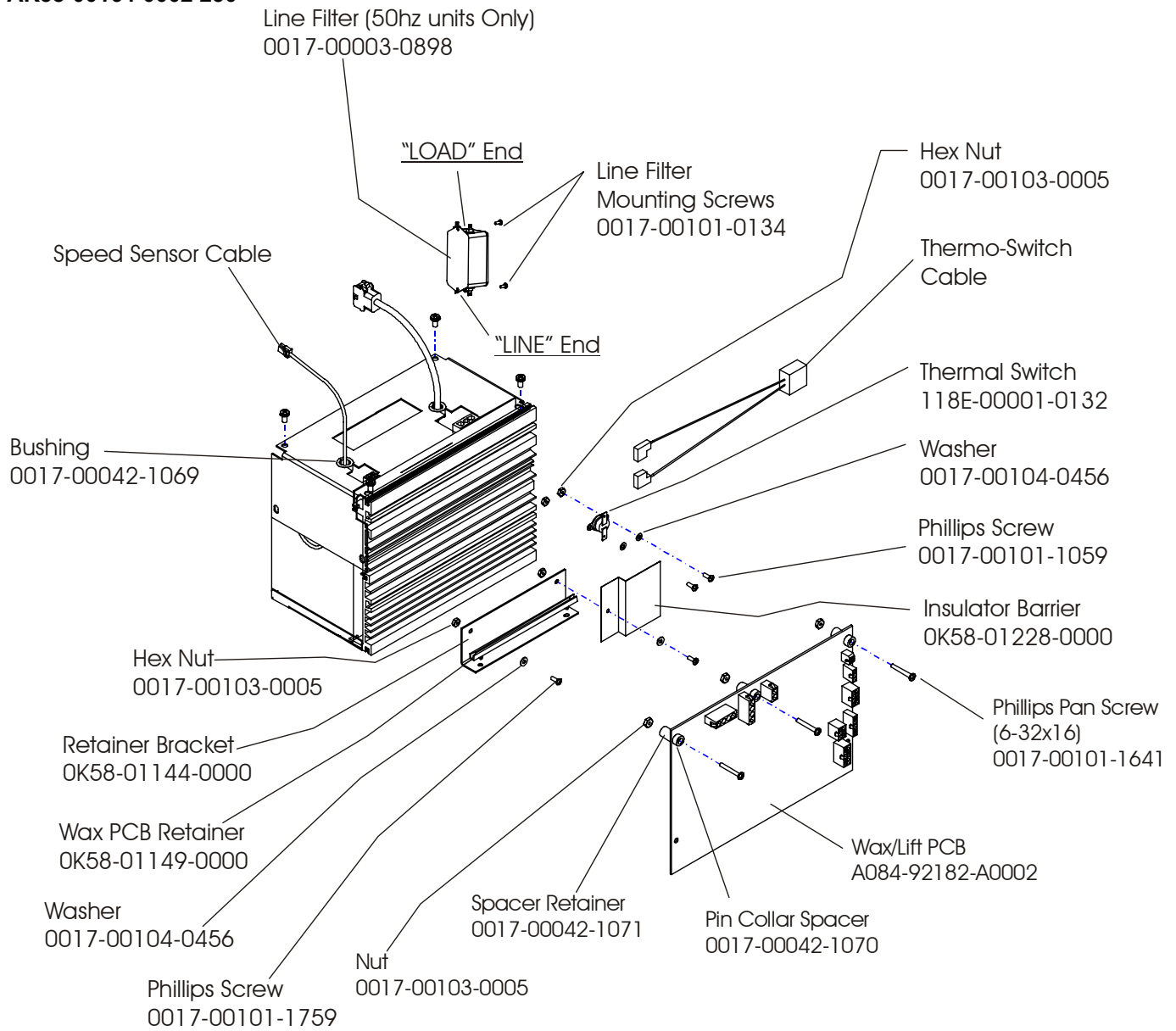
**TR97-0100-03
S/N HTP100000**

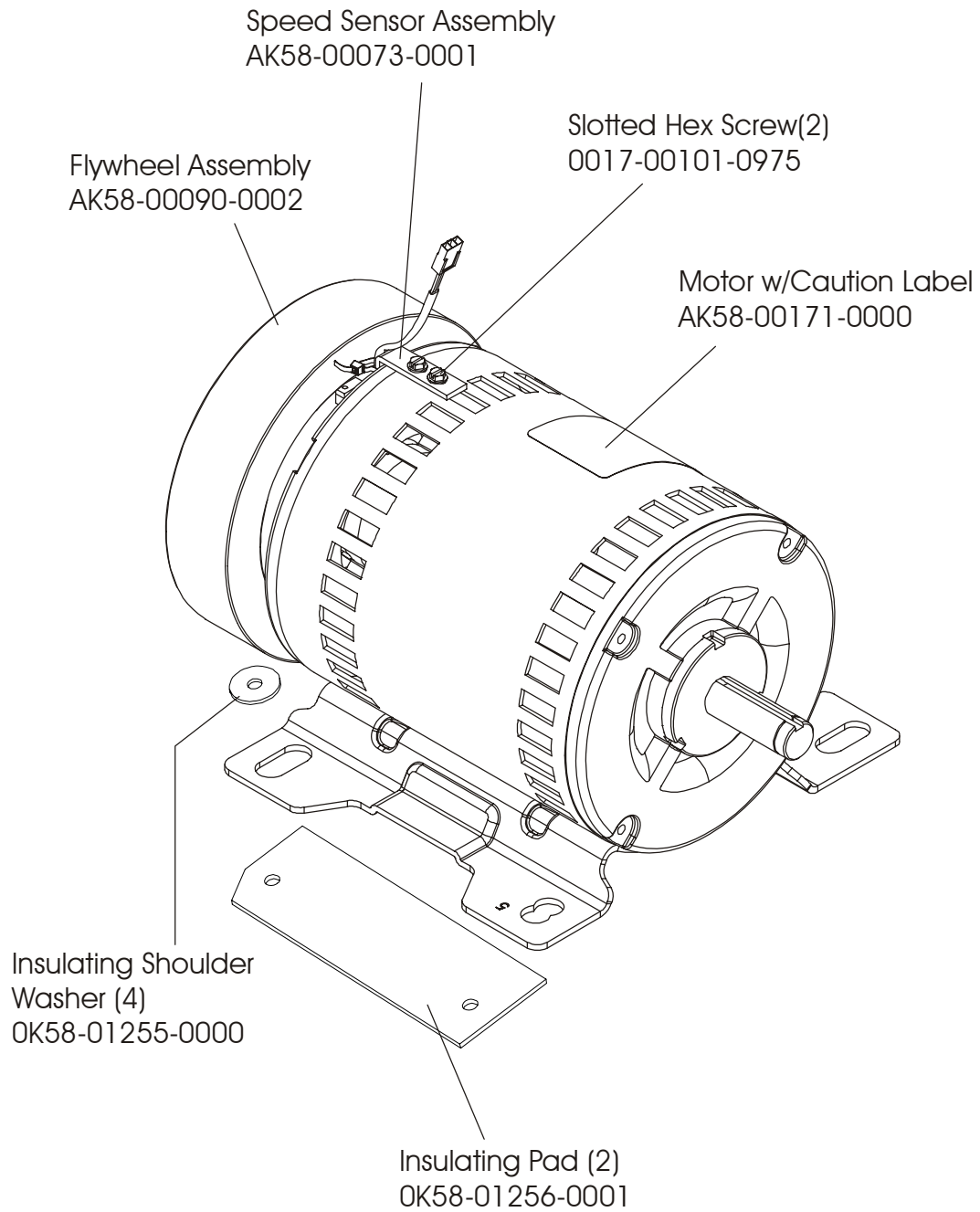


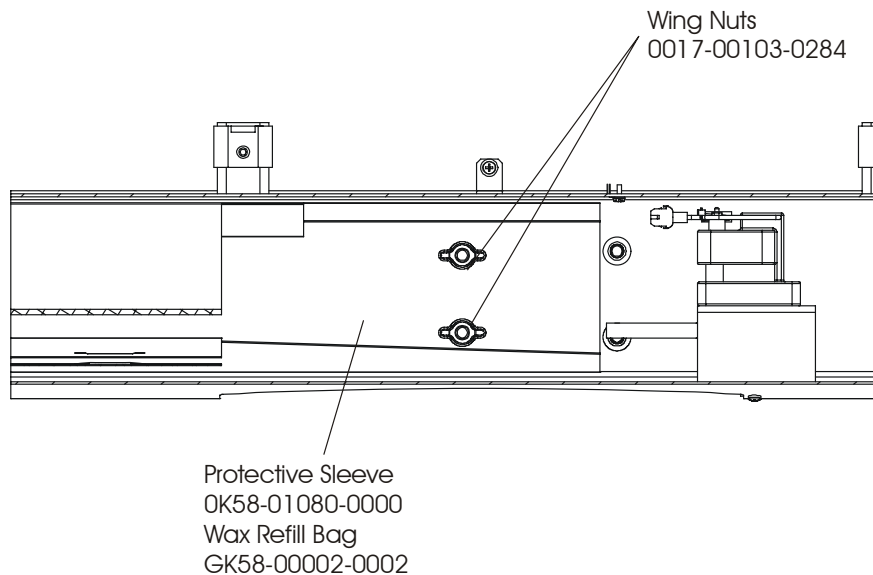
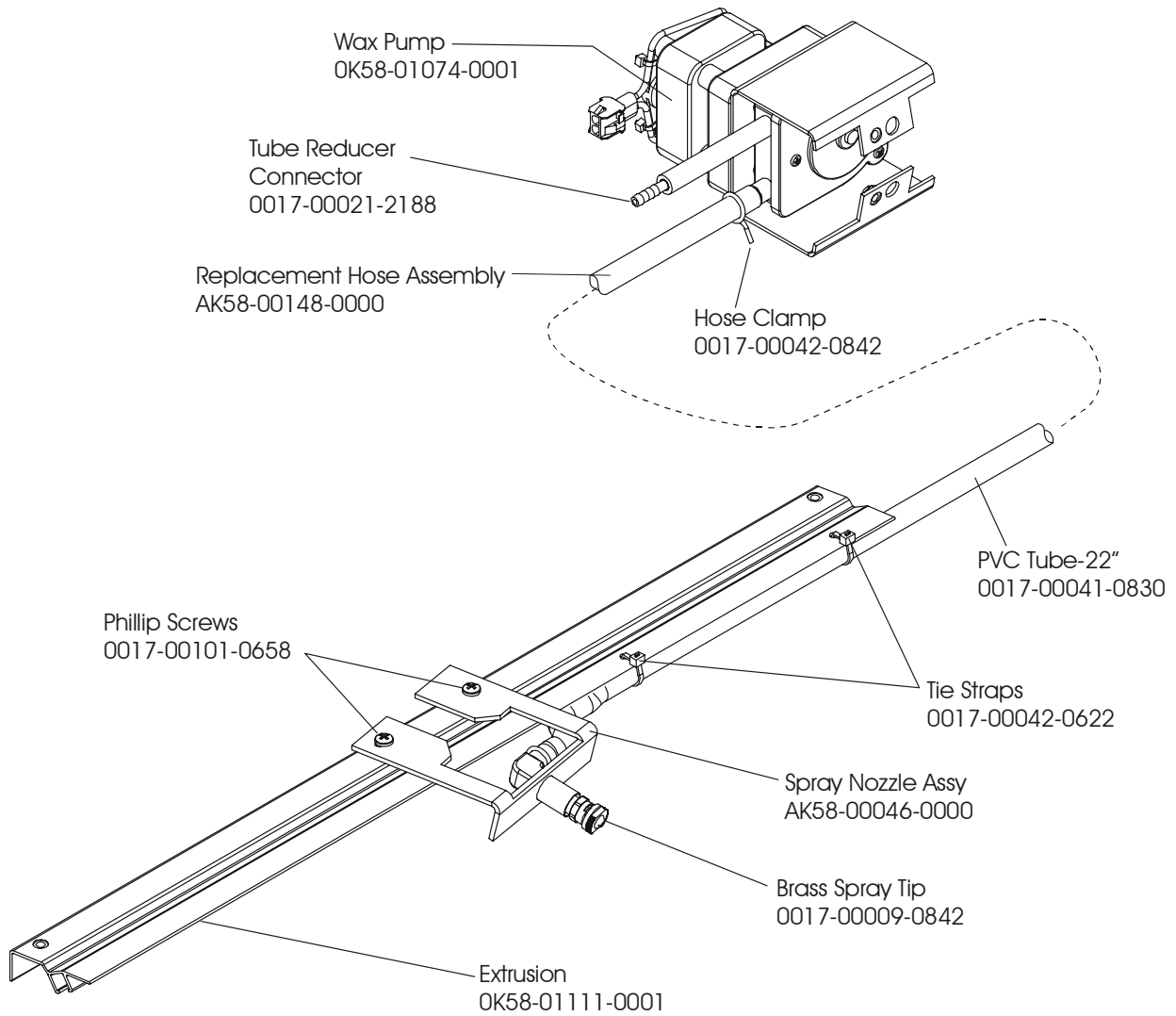
**TR97 Treadmill
Motor Controller**

**TR97-0100-03
S/N HTP100000**

**Wax Lift / Motor Controller
AK58-00164-0001 120v
AK58-00164-0002 230**

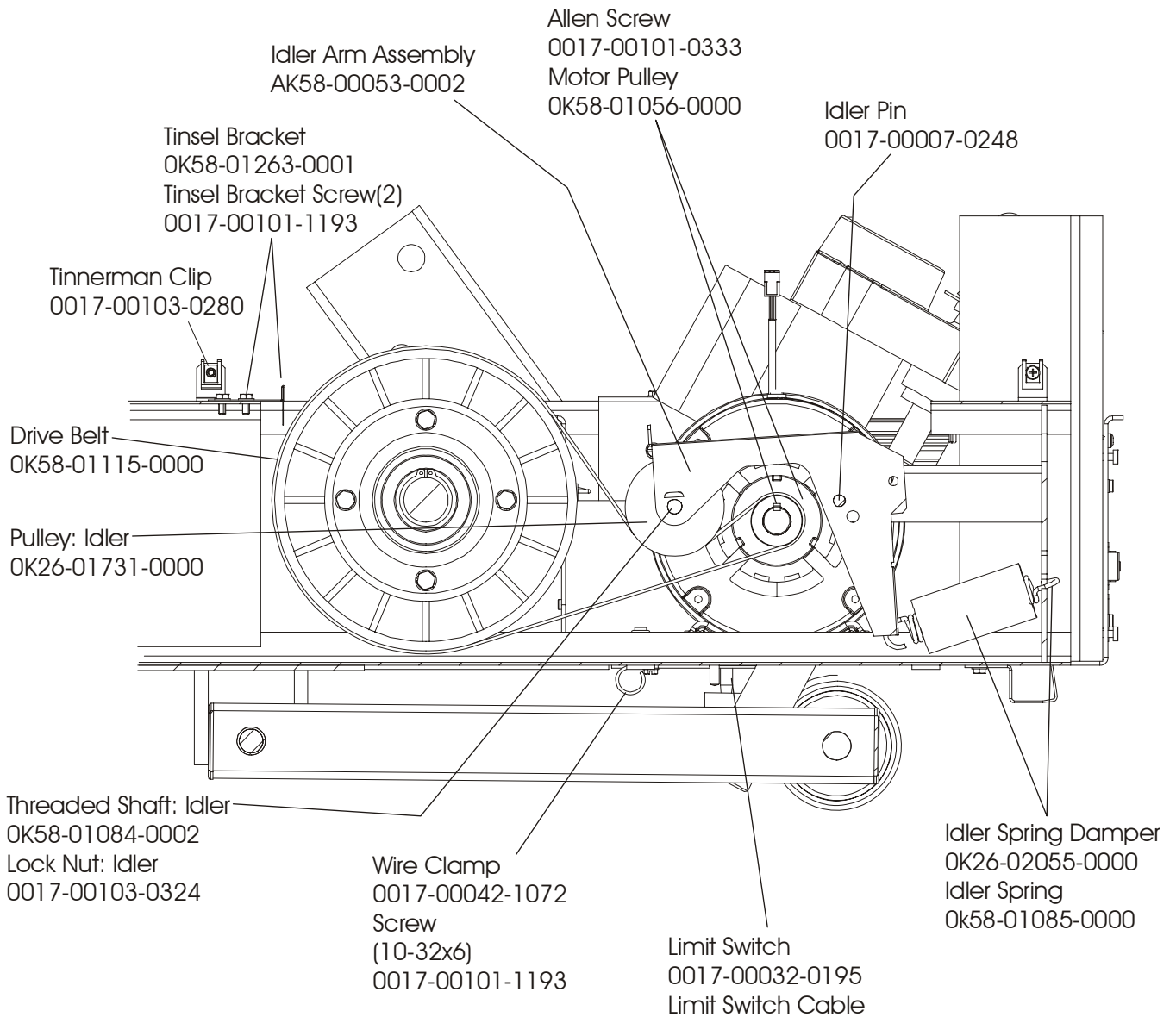






**TR97 Treadmill
Idler Arm Assembly**

**TR97-0100-03
S/N HTP100000**



TR97 Treadmill
Lever Assembly – AK58-00076-0000

TR97-0100-03
S/N HTP100000

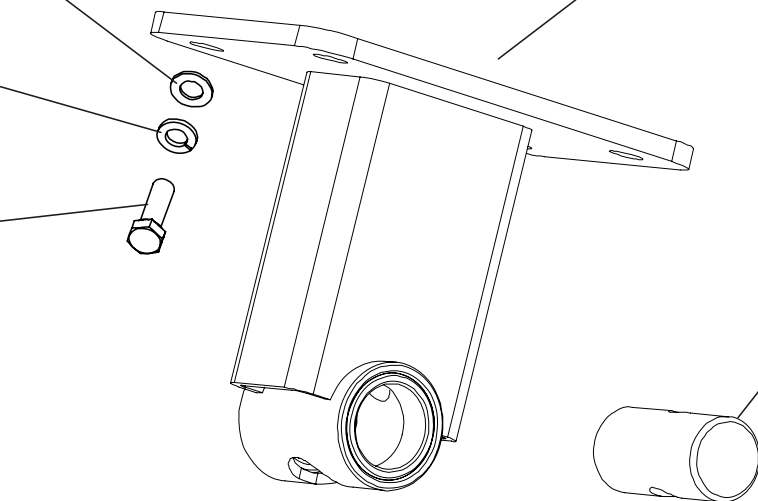
Flat Washer-4
0017-00104-0190

Assembly Leveler & Bushing
AK58-00089-0000

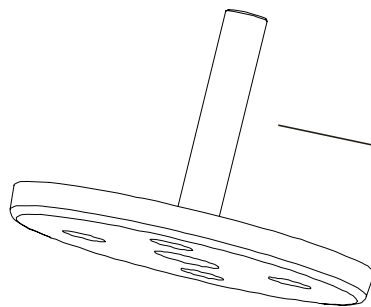
Lock Washer-4
0017-00104-0333

Hex Nut-4
(8-18x10)
0017-00101-1253

Pivot Pin
OK58-01098-0001



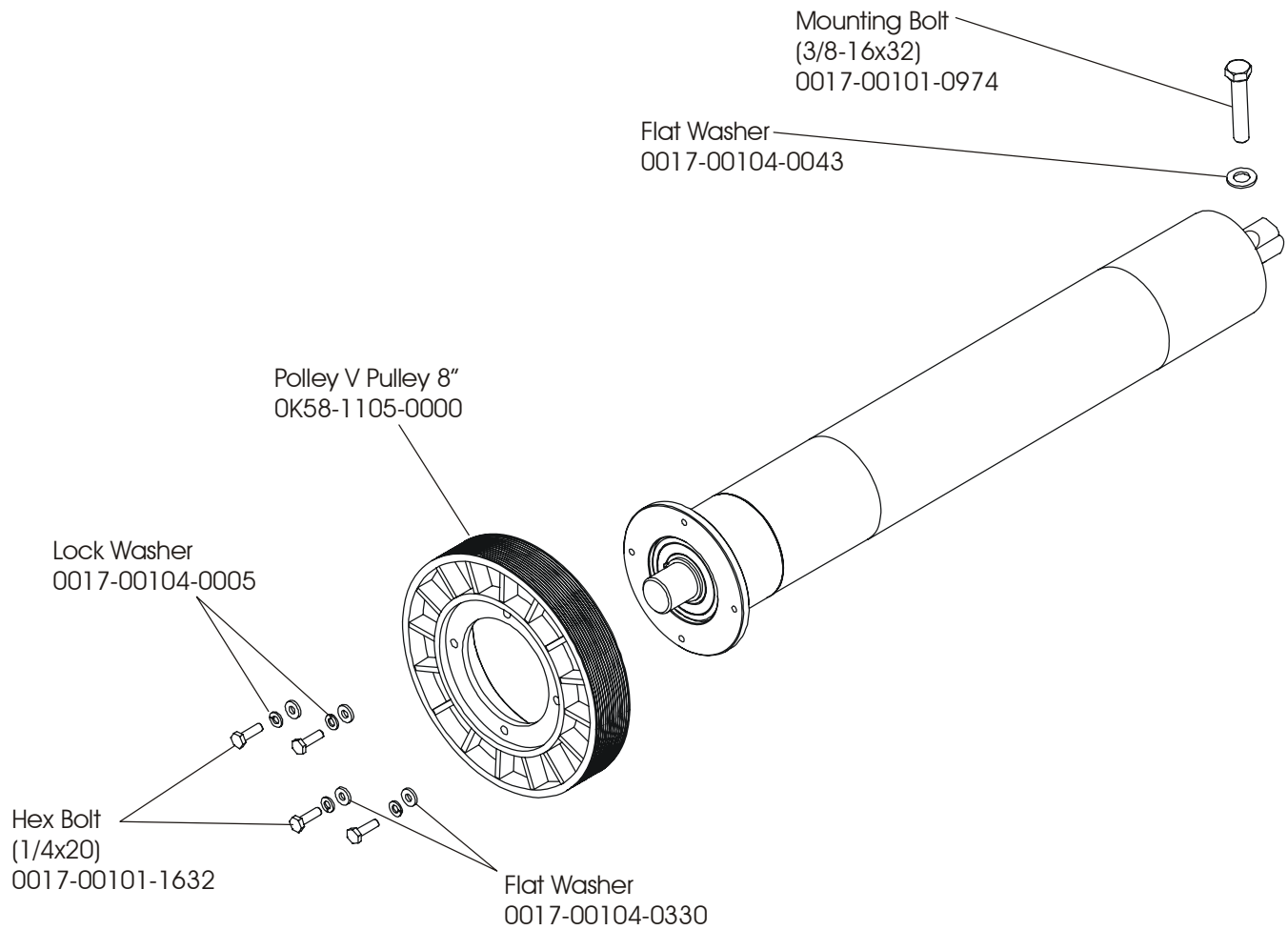
Stop Nut
OK58-01099-0000

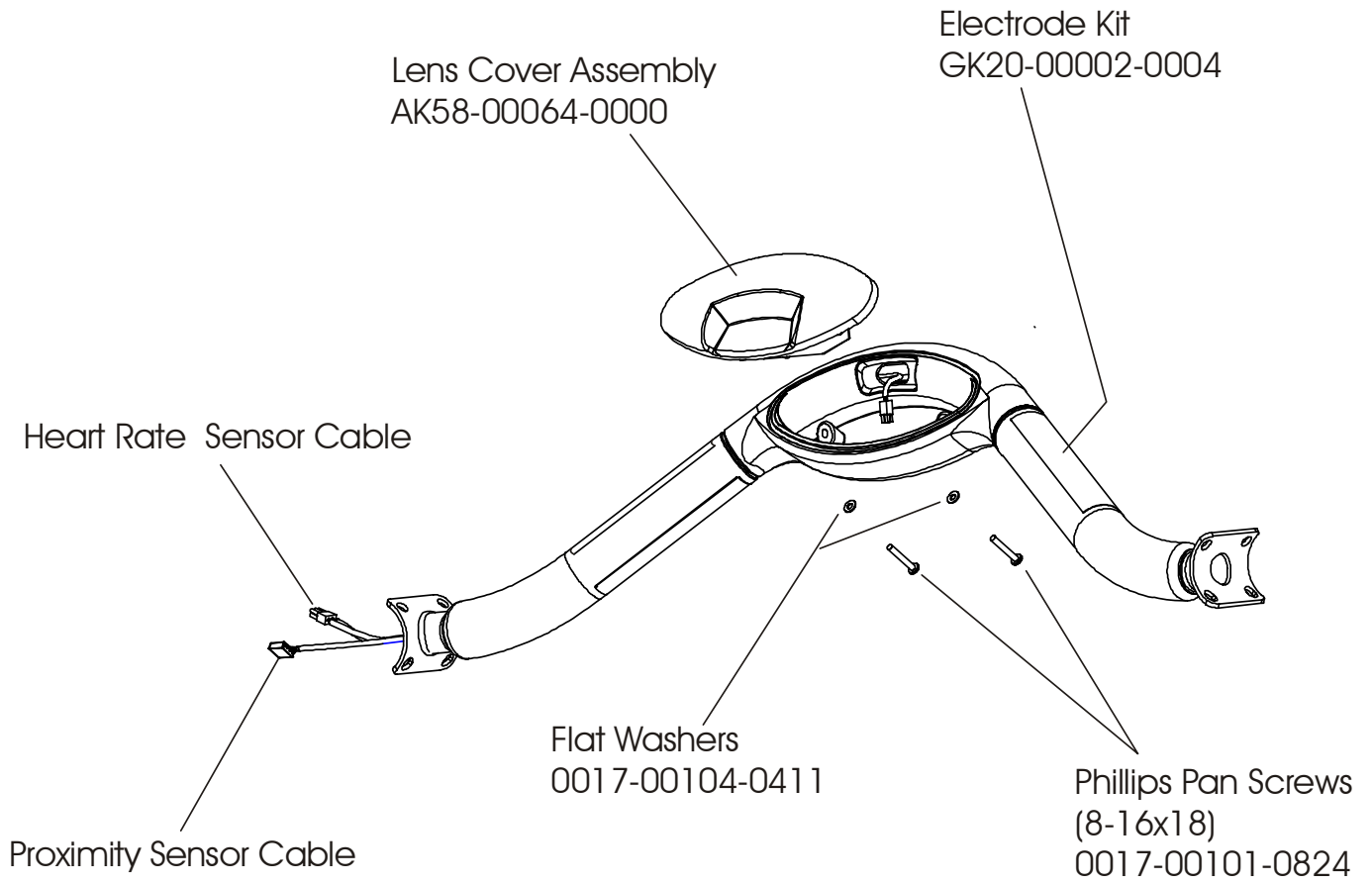


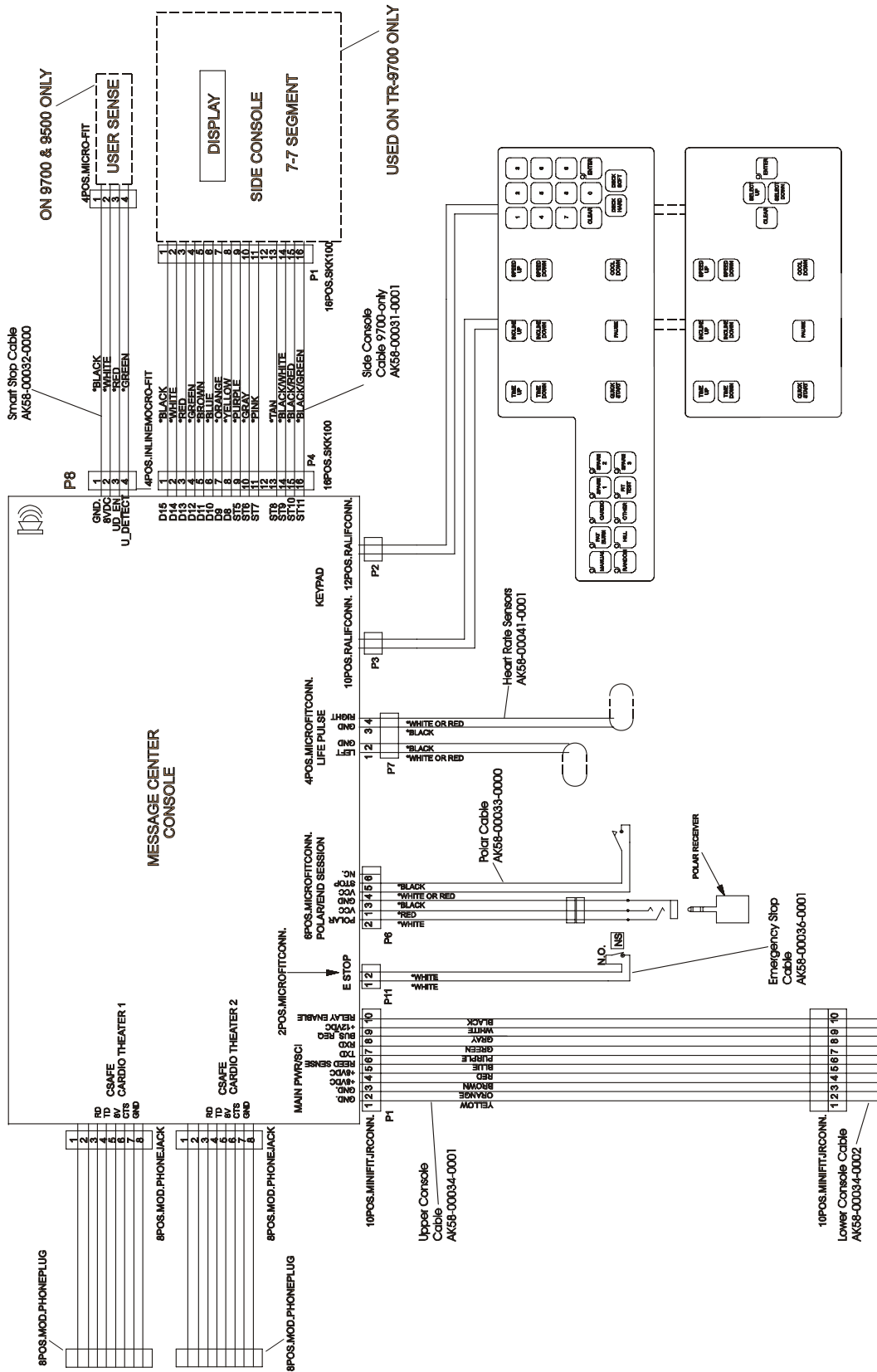
Leveling Foot
OK58-01110-0000

TR97 Treadmill
Front Roller Assembly – AK58-00067-0000

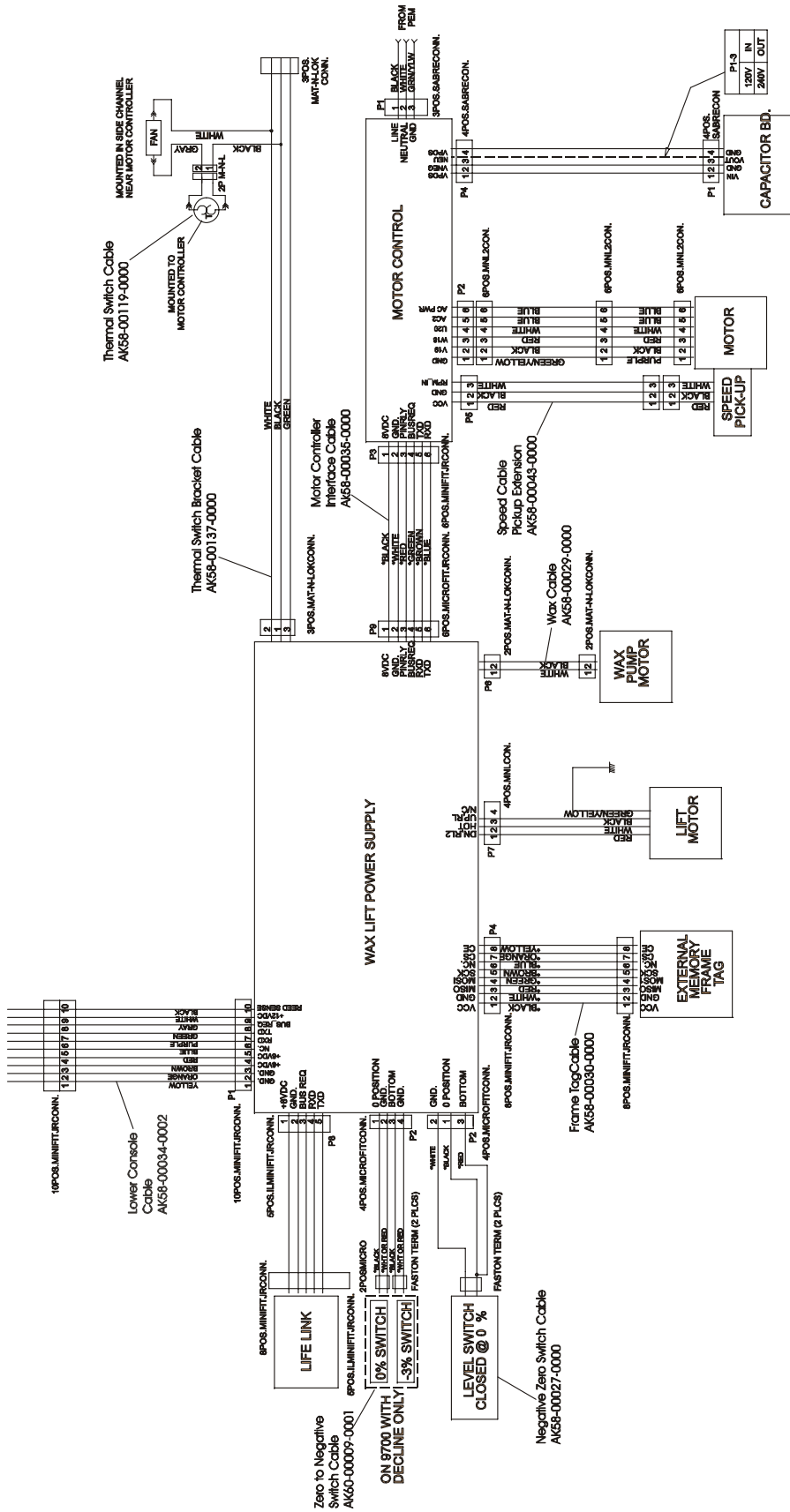
TR97-0100-03
S/N HTP100000



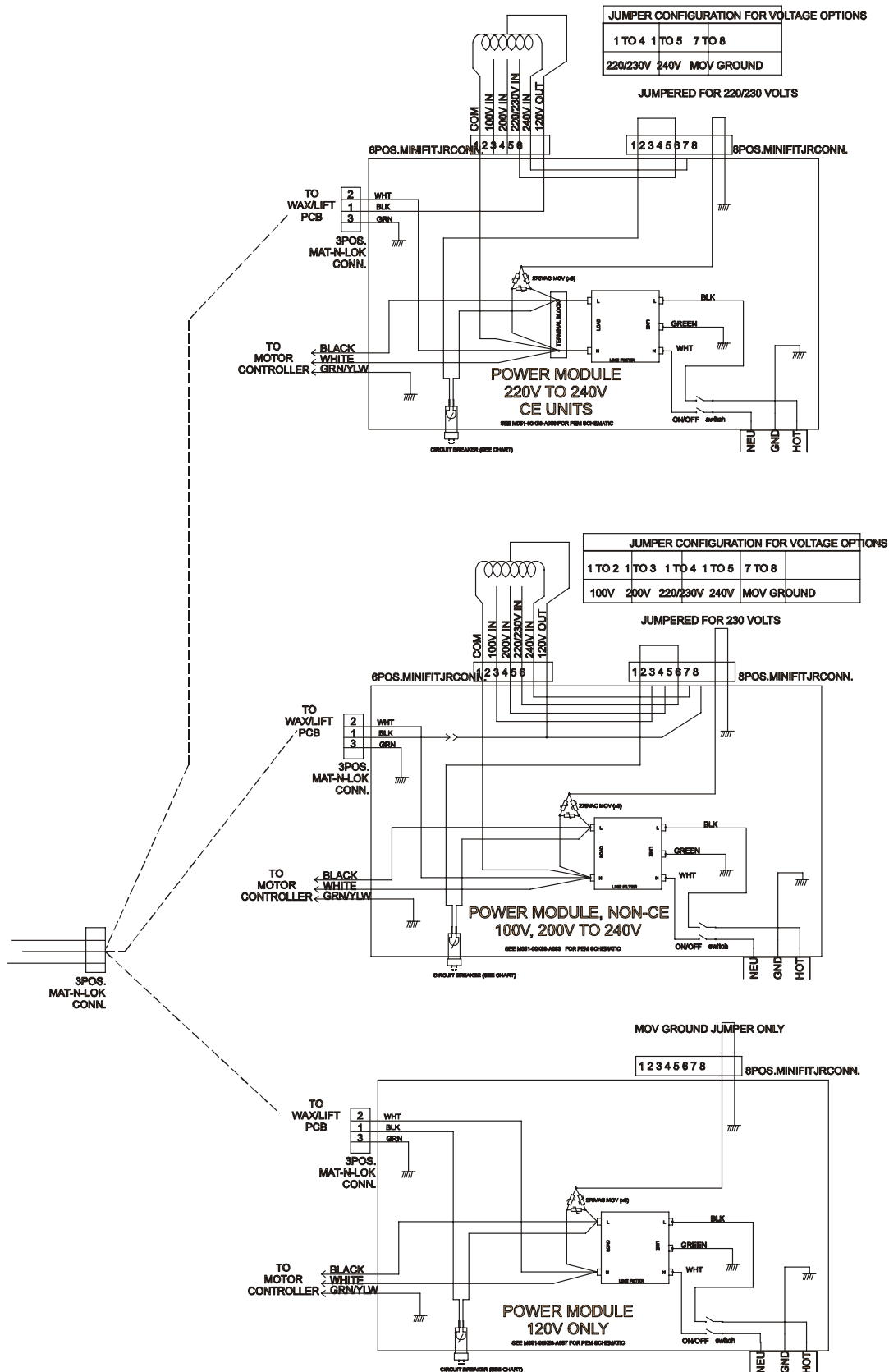




Message Center Console



WAX LIFT POWER SUPPLY



Power Modules